

STELLA EPIC 2, Dosamat technology, white color



Ref: 602680
(EPIC2DOW)

Specialty Espresso Machine

- 2 Groups
- Easylock Maestro Group
- DOSAMAT Keyboard
- Cool Touch Steam - Mitigated Hot Water - Cool Touch Steam
- Shiny White
- 400 V 3N 50-Hz 6,7kW
- CE/CB Certified

General Features

The Stella Epic, UNIC's flagship model, combines iconic 50s-inspired design with advanced digital technology, crafted for barista who seek to master coffee flavors. Ideal for high-traffic cafes, its multi-boiler system and Thermalink technology ensure precise temperature control and energy efficiency.

Key features like up to 5 recordable infusion profiles per group, Cool Touch steam wands, and the Easylock portafilter system enhance consistency and convenience for busy baristas. With the Stella Epic, elevate your coffee experience and impress customers with a blend of style, precision, and performance.

STELLA EPIC 2, Dosamat technology, white color

Main Features

- 8.9 liter hot water & steam boiler
- Manual Steamglide lever.
- Easily height-adjustable drip tray to adapt the working area
- White esthetic color body
- 2 x 1.65 liter boilers for coffee
- LED lights on group head
- Programmable water and steam.
- Automatic cleaning cycle.
- Electronic pre infusion.
- Double paneled cup warmer with large capacity.
- USB interface for update.
- 2 independent control boxes with 4 programmable dosing selection with Dosamat ® self recognition of portafilter, pre and post infusion profiling manual control, infusion pressure curve and shot time display
- LCD touchscreen to take control of the settings, in expert mode it allows saving up to 5 recordable extraction profiles per group to enhance high quality coffees extraction.
- Cool touch steam outlets to control steam without the risk of burns, easier to clean after each use

Construction

- PID (proportional-integral-derivative) Temperature control: a precise controller algorithm system that gives consistency and accuracy to brewing temperature management system.
- Easylock portafilter.
- RS-232 protocol for computer/cashier interface.
- Built-in cup warmer.

Sustainability

- Multi-boiler traditional espresso machine with Thermalink Network® technology that intelligently controls and optimizes the distribution of heat, that guarantees consistent brewing temperature and efficiency in terms of energy requirements.

Included Accessories

Optional Accessories

- Steam outlet with adjustable flow PNC 871000
- Hot water outlet with adjustable flow PNC 871001
- Cappuccinatore/foamer device with two positions for hot milk and for foam only for machines without Steamair PNC 871011
- Cappuccino system/auto foam device by air injection for traditional machines only for machines without Steamair PNC 871012
- Teflon steam wand only for machines without Steamair PNC 871013
- Filter for one cup, 12 gr PNC 871017
- Filter for two cups, 18 gr PNC 871018
- Stainless steel knock box drawer PNC 871019

STELLA EPIC 2, Dosamat technology, white color

Electric

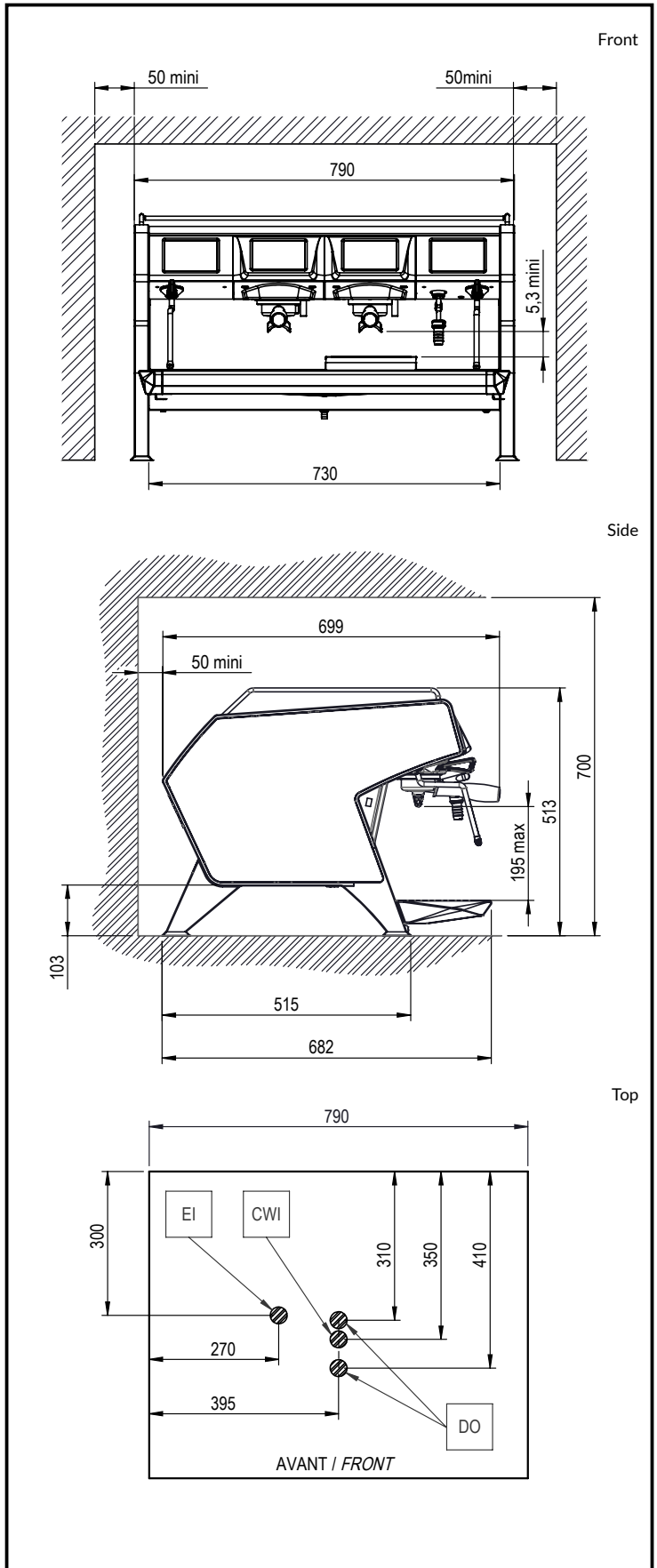
Supply voltage: 380-415 V/3N
 ph/50/60 Hz
 Electrical power max: 7.5 kW
 Plug type: Cable without plug

Water:

Cold water temperature
 (min/max): 5 / 60 °C

Key Information:

Net weight: 90 kg
 Shipping volume: 0.69 m³
 Sustainability
 Current consumption: 10 Amps



Certifications



The company reserves the right to make modifications to the products without prior notice. All information correct at time of printing.

2025.04.28

Part of  Electrolux
 Professional
 Group

UNIC